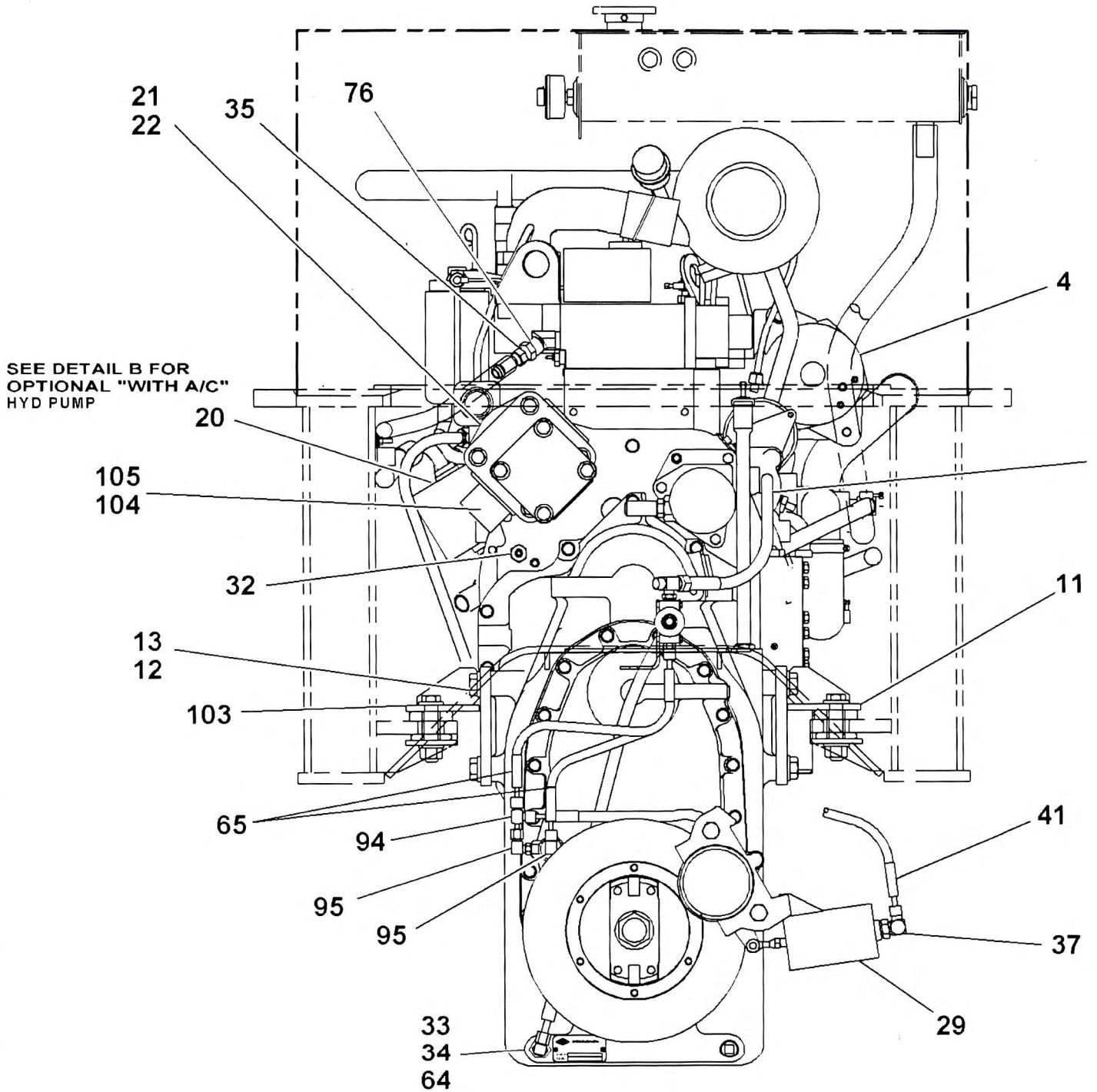
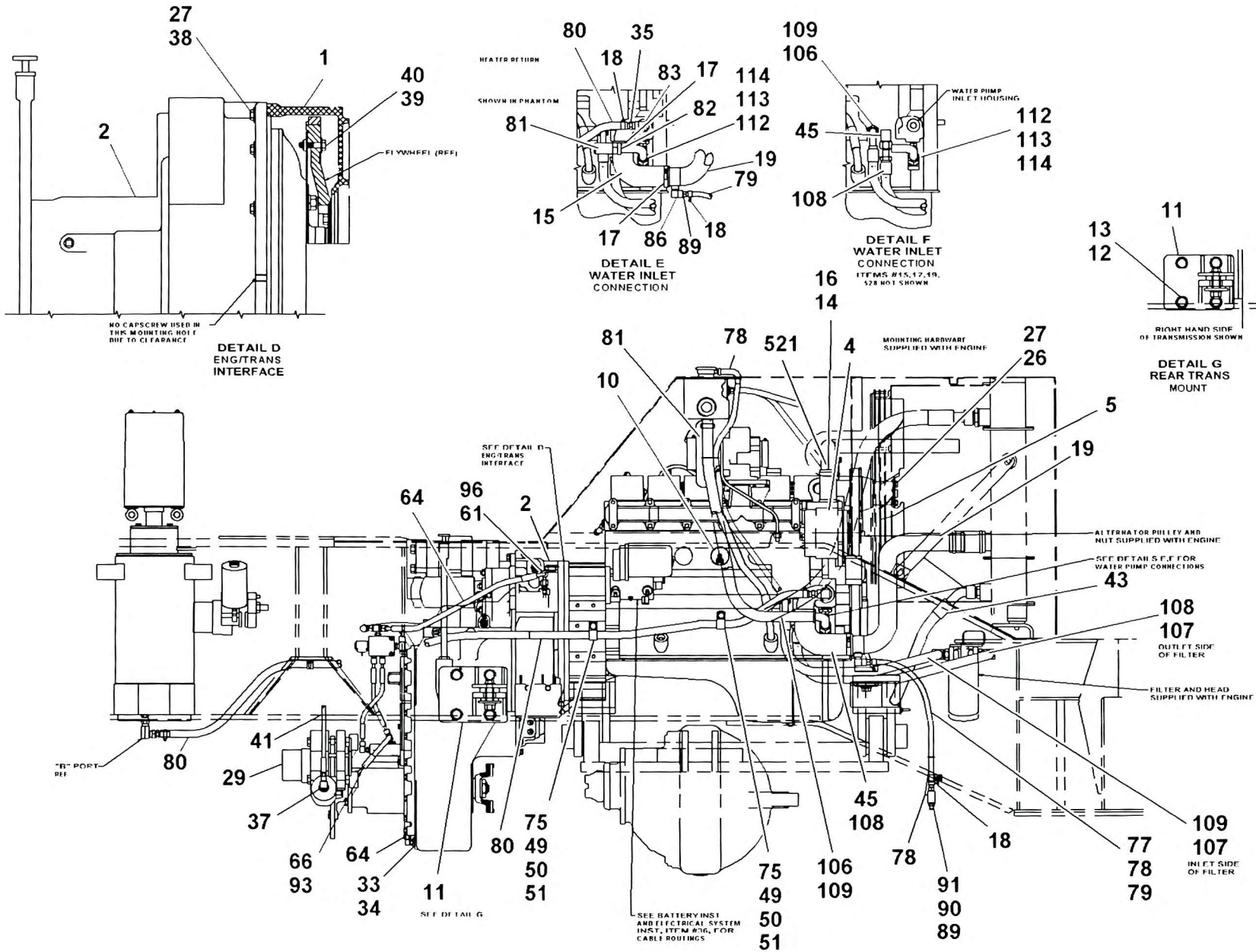
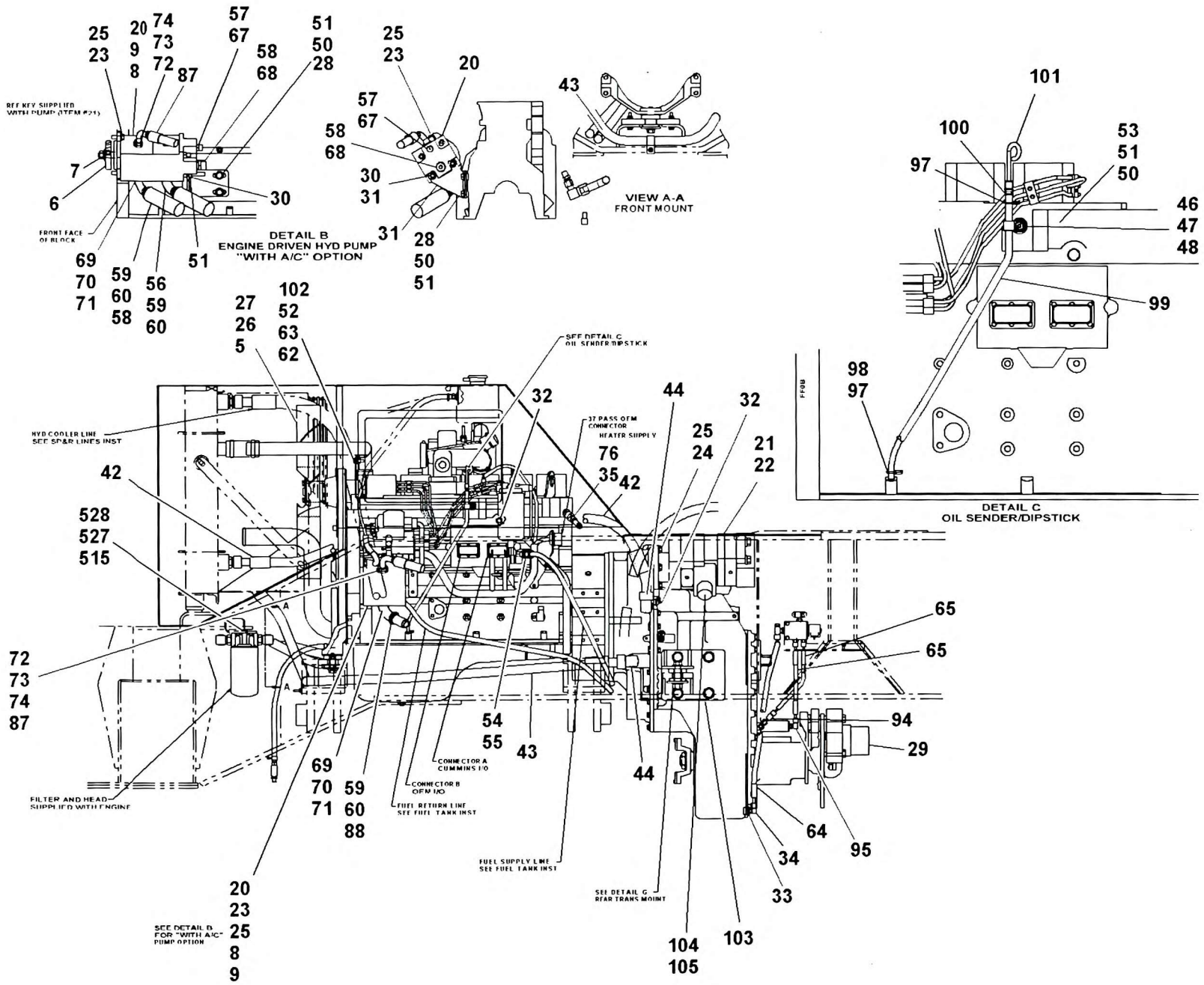


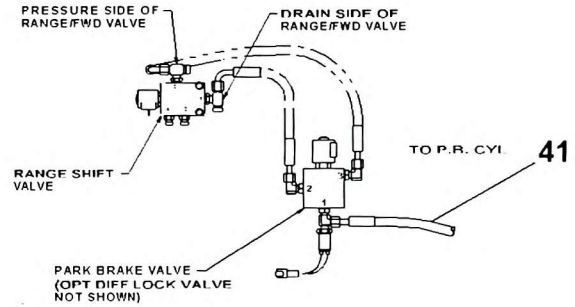
# Manitowoc Crane Group







(SHEET 2 OF 4)



**VIEW J-J**  
ROTATED 180°

